

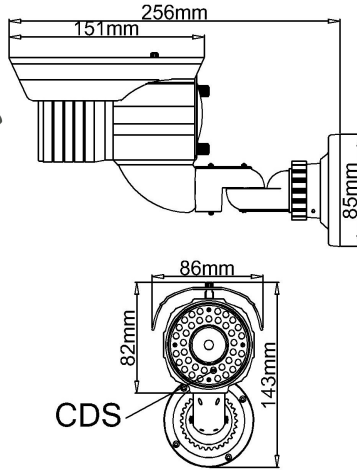


**CRB6033EN High Resolution External Adjustable IR Camera (30M)**

**Image**



**Dimension**



**Features**

- ◆ 1/3" Sony Super HAD CCD
- ◆ 520 TVL
- ◆ 36 pcs  $\Phi 5$  IR LEDs
- ◆ IR Distance 30m
- ◆ IP 66 with Weather Proof Shield
- ◆ Under 10 lux Auto Switched IR LEDs by CDS
- ◆ Electronic Day /Night
- ◆ 3-Axis Cable Management Bracket
- ◆ Vandal Resistant Concealed Cable Base
- ◆ 4-9mm Manual Iris Lens
- ◆ Focus and Zoom External Adjustable

**Specification**

Model	SE-CRB6033EN
Pick-up Device	1/3" Sony Super HAD CCD
Effective Pixels (HxV)	NTSC:768x494 PAL:752x582
Sensing Area	4.9x3.7mm
Horizontal Resolution	520 TV Lines
Minimum Illumination	0.1 Lux, 0 Lux at IR on
S/N Ratio	More than 48dB
Scanning System	2:1 Interlace
Synchronous System	Internal
Electronic Shutter	NTSC:1/60s~1/100,000s, PAL:1/50s~1/100,000s
IR Distance	30m
IR Leds	36 pcs $\Phi 5$ 850nm Infrared LED
IR status	IR on: under 10Lux, by CDS Auto Control
Water Resistance	IP66
Gama Characteristic	0,45
Auto Gain Control	Auto
White Balance	Auto
Video Output	1.0 Vp-p Composite Video, 75 $\Omega$
Lens	4-9mm Manual Iris Lens
Power Supply	12V DC
Power Consumption	IR on: 360mA, IR off: 90mA
Operating Environment	-10 $^{\circ}$ C~+50 $^{\circ}$ C, RH95% Max
Dimension(LxWxH)	256x86x143mm
Weight	950g
Package	12 pcs /Carton, 46x42.5x42.5cm