

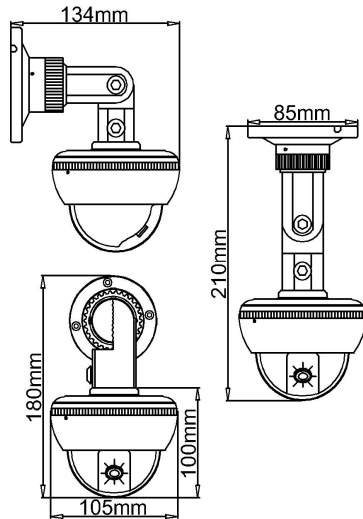


CDV6032V 2.5" Vandal-Proof Dome Camera

Image



Dimension



Features

- ◆ 1/3" Sony Super HAD CCD
- ◆ 520 TVL
- ◆ Minimum Illumination: 0.1Lux @ F1.2
- ◆ Auto Gain Control(AGC)
- ◆ Auto White Balance Control (AWB)
- ◆ Back Light Compensation (BLC)
- ◆ 3 Axis Bracket Included
- ◆ Electronics Day & Night
- ◆ 3.5-10mm Manual Iris Lens

Specification

Model	SE-CDV6032V
Pick-up Device	1/3" Sony Super HAD CCD
Effective Pixels (H×V)	NTSC:768×494 PAL:752×582
Sensing Area	4.9×3.7mm
Horizontal Resolution	520 TV Lines
Minimum Illumination	0.1Lux @ F1.2
S/N Ratio	More than 48dB
Scanning System	2:1 Interlace
Synchronous System	Internal
Electronic Shutter	NTSC:1/60s~1/100,000s, PAL:1/50s~1/100,000s
Gama Characteristic	0,45
Auto Gain Control	Auto
White Balance	Auto
Video Output	1.0 Vp-p Composite Video, 75Ω
Lens	3.5-10mm Manual Iris Lens
Power Supply	12V DC
Power Consumption	120mA
Operating Environment	-10 °C~+50 °C, RH95% Max
Dimension(L×W×H)	Φ105×210mm (with Bracket)
Weight	560g
Package	16 pcs /Carton, 69×39×53.5cm